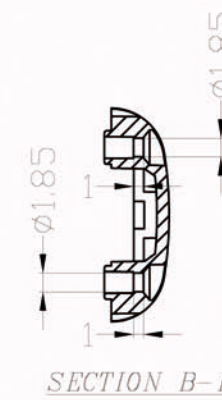
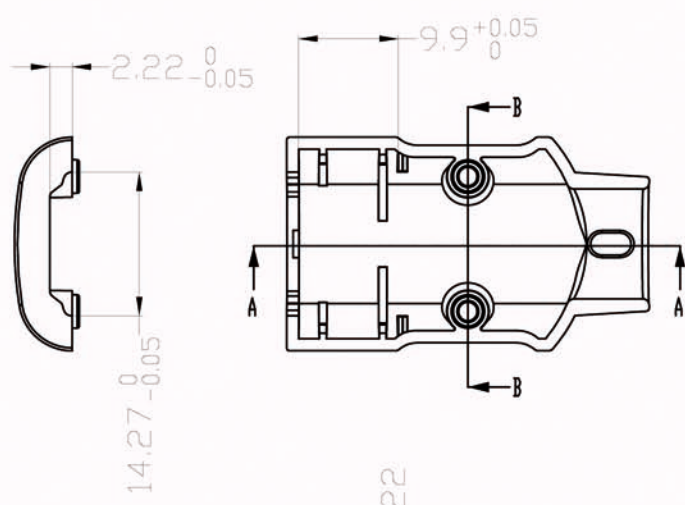
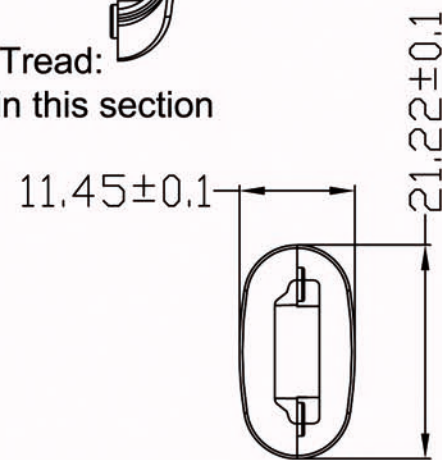
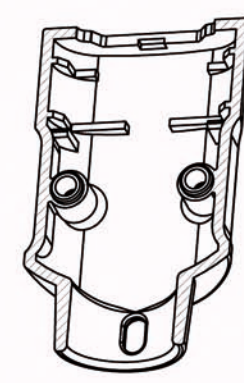
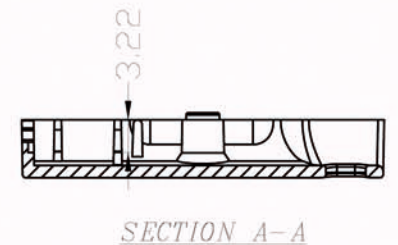


RevNo	Revision note	Date	Signature	Checked

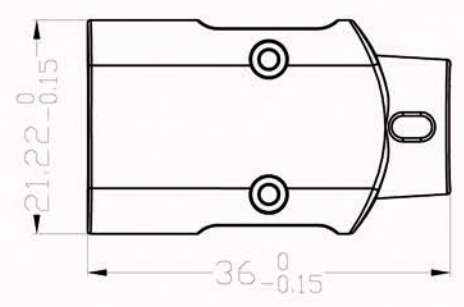


01
Tapping Tread:
M2*0.4 in this section



02
shadow parts of burr need to be repaired without throw

03
shell around together without being broken after polishing



Surface Treatment: Gun metal plating

LYNDAHL®

©Traderia GmbH 2012

Part No.	LKHDMICON1	Cust Part No.	
Description	HDMI DIY Lower Shell (9Pin)		
Scale	1:1	Drawn by	20090921
Unit: mm		Approved by	