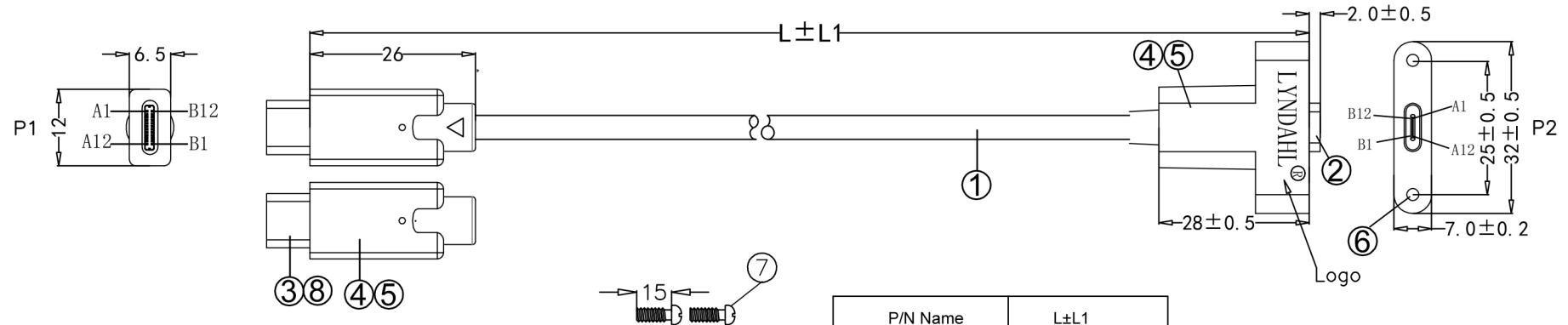
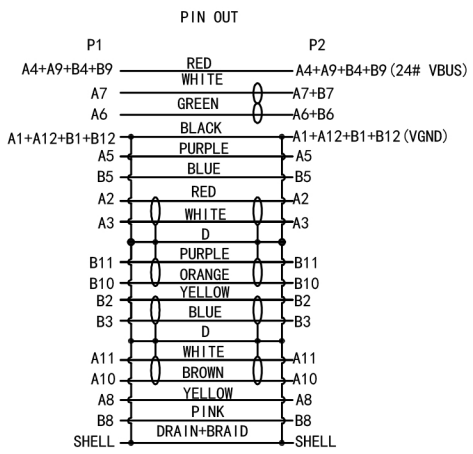


NO.	MATERIAL	DESCRIPTION	QTY	UNIT
①	CABLE	32#[(7/0.08TC)*1P+D(7/0.08TC)+AL+MY]*4C+32#(7/0.08TC)*1P+32#(7/0.08TC)*4C+26#(7/0.16TC)*2C+AB(16/6/0.08TC)+BLACK PVC OD:4.5±0.2MM	L±L1	MM
②	CONN	USB3.1 C FEMALE+PCB;NI-PLATED SHELL;	1	PC
③	CONN	USB3.1 C MALE+PCB;NI-PLATED SHELL;	1	PC
④	INNER-MOLDED	LDPE;	4	G
⑤	OUT-MOLDED	45P BLACK PVC;	12	G
⑥	NUT	#4-40 NICKEL PLATED;	2	PCS
⑦	SCREW	#4-40*15 NICKEL PLATED;	2	PCS
⑧	DUST CAP	TYPE C DUST CAP,TRANSPARENT;	1	PC



P/N Name	L±L1
LKPK032	200±30
LKPK032-05	500±30



- NOTES:
- 100% short,open and miss wire test.
 - HI-POT: AC 150V 0.01S
 - Insulation Resistance: DC 300V 0.01S 10MΩ Min
 - Conductive Resistance: 2 OHM Max

DRAWING	DATE	UNIT	MM	FILE NAME	USB3.1 CM/CF PANEL MOUNT		
CHECK	DATE	SCALE	FREE	PART NO.	LKPK032		
APPROVED	DATE	TOLERANCE	.X: ,.XX:	SHEET	1/1	REV.	1.0

REV.	REVISION NOTE	DATE	ECO NO.
1.0	Original	SEP 18,2020	

	RoHS COMPLIANT	CUSTOMER	Traderia	
	PART NO.			