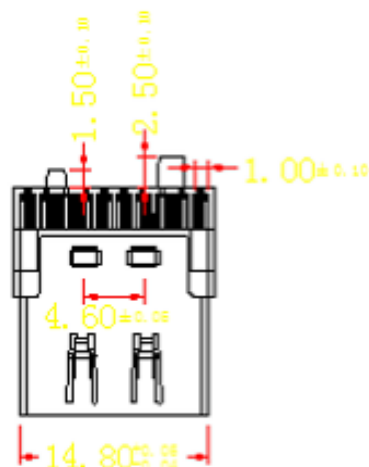
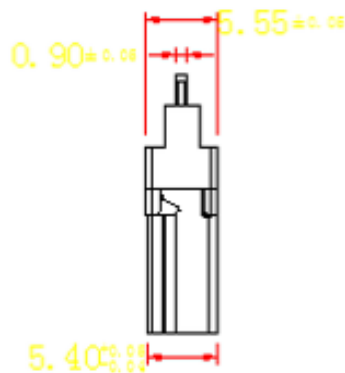
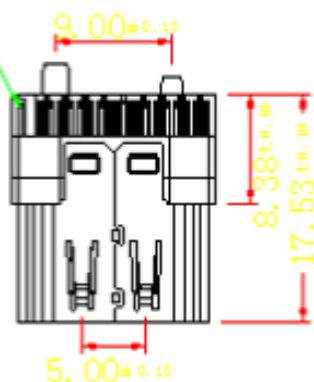


The is GND



ORDERING INFORMATION:

- (1) PRODUCT SERIES NUMBER:
HU : HDMI JACK SOLDER TYPE CONNECTOR
- (2) NO. OF POSITION:
19 :19POSITIONS
- (3) PLASTIC COLOR CODES:
A :BLACK
- (4) PLATING OF CONTACT :
1 : GOLD FLASH OVER NICKEL
2 : 3u" GOLD OVER NICKEL
- (5) PLATING OF SHELL :
1 : Ni PLATING
2 : Au:3u"Min. ALL PLATING
3 : GOLD FLASH. ALL PLATING
- (6) PRODUCT CONFIGURATION :
P1 : CONTACT IS SECTOR ,COVER WITH POLES
AND WITH METAL COVER
- (7) SHELL CONTRUCTION TYPE:
O : WITHOUT RIB
- (8) LOGO :
N : WITHOUT SHENBO LOGO
Y : WITH SHENBO LOGO
- (9) SUFIX NO.1 :
B : THE SHELL MATERIAL IS BRASS
S : THE SHELL MATERIAL IS SPCC
- (10) SUFIX NO.2 :
L : HOUSING AND BACK COVER MATERIAL IS LCP
P : HOUSING AND BACK COVER MATERIAL IS PBT

NOTE:

1. MECHANICAL :
 - 1.1 INSERTION FORCE :44.1 N MAX
 - 1.2 WITHDRAWAL FORCE :9.8 N MIN.
2. ELECTRICAL :
 - 2.1 CONTACT CURRENT RATING: 0.5A MIN.
 - 2.2 VOLTAGE RATING :40V AC (rms)
 - 2.3 WITHSTANDING VOLTAGE: 500 VAC FOR 1 MINUTE.
 - 2.4 INSULATION RESISTANCE: 100 MEGAOHMS MIN.
 - 2.5 CONTACT RESISTANCE: 30 MILLIOHMS MAX.
3. ENVIRONMENTAL :
 - 3.1 OPERATING TEMPERATURE: -25° C TO +85° C

ITEM	PART NAME	QTY/PCS	MATERIALS
①	METAL COVER	1	SPCC
②	CONTACT	19	COPPER ALLOY
③	COVER	1	THERMOPLASTIC
④	HOUSING	1	THERMOPLASTIC
⑤	SHELL	1	COPPER ALLOY & SPCC

MATERIAL	TOLERANCE UNSPECIFIED	SCALE		UNIT
	0.00	NONE		MM
FINISH	ANGLE ± 1°	NAME		SHEET
	Draw Ming 3/20-15	HDMI JACK SECTOR CONNECTOR CUSTOMER DRAWING		1/1
	Designer Ming 3/20-15	Drawing No. D-S1HU-10		REV. 1.0
	Checked 闵文林			
	Approved 闵文林			